

MECS® SULFOX™ FOR GAS DESULFURIZATION AND SULFUROUS WASTE REGENERATION



PRODUCE SULFURIC ACID INSTEAD OF SULFUR OR GYPSUM EFFLUENT

The SULFOX™ process is a highly energy efficient technology used for cleaning waste gases containing sulfur compounds that produces a saleable product — sulfuric acid.

SULFURIC
PROCESS TECHNOLOGIES

Learn more at www.mecsglobal.com

A UNIQUE, RELIABLE SOLUTION

MECS® SULFOX™ is a unique wet gas sulfuric process where merchant grade sulfuric acid is produced instead of unwanted process by-products, sulfur or gypsum effluent. Each SULFOX™ plant is custom designed according to the feed gas concentrations and the customer's specific requirements while keeping the investment and operating costs as low as possible. The SULFOX™ process, which was developed to treat sulfur-containing waste gases, has over 20 years of successful field experience.

MECS, Inc. (MECS) is one of few companies that design and manufacture their own sulfuric acid process equipment and technologies such as catalyst, heat recovery and mist elimination. By combining process technology, materials science, the backing of DuPont and nearly a century of sulfuric acid plant expertise, MECS can provide a single point overall guarantee of quality workmanship AND performance.

SULFOX™ HK NATURAL GAS SWEETENING



FEATURES:

- Wet catalytic oxidation of sulfur compounds with recovery of concentrated sulfuric acid
- Solution for a wide range of off gas compositions
- Efficient waste heat recovery
- High steam production for concentrated H₂S feeds economical alternative with low operating costs compared to Claus (H₂S) or scrubbing (SO₂)
- No or minimal liquid effluent
- Very low cooling water consumption
- Flexible operation with high turndown ratio

BENEFITS:

- Guaranteed ultra low acid mist emissions exceed the most stringent regulated values
- Low SO₂ emission thanks to activated carbon filter
- Very reliable and proven gas cleaning using DynaWave™ Technology
- Simple automated operation (minimal operators required)
- Robust and low maintenance acid concentration column with short horizontal tubes
- Special catalyst usage for specific applications
- Long catalyst operation without screening
- Very compact modular design

SULFOX™ NK



SULFOX™ APPLICATIONS:

- Refinery
- Coal Gasification SRU
- Natural gas processing
- Spent acid and liquid sulfates regeneration
- Coke manufacturing
- Viscose fibers
- Mining & roasting
- Pigments production

PROCESS DESCRIPTION

THE SULFOX™ PROCESS is based on the thermal and catalytic conversion of sulfur-bearing compounds into sulfuric acid.

The off gas passes over a prefilter before it is preheated to the required catalyst intake temperature by the glass tube heat exchanger of the concentration column and an additional gas preheater. This gas preheater is part of the heat recovery system which typically uses molten salt as the heat transfer medium.

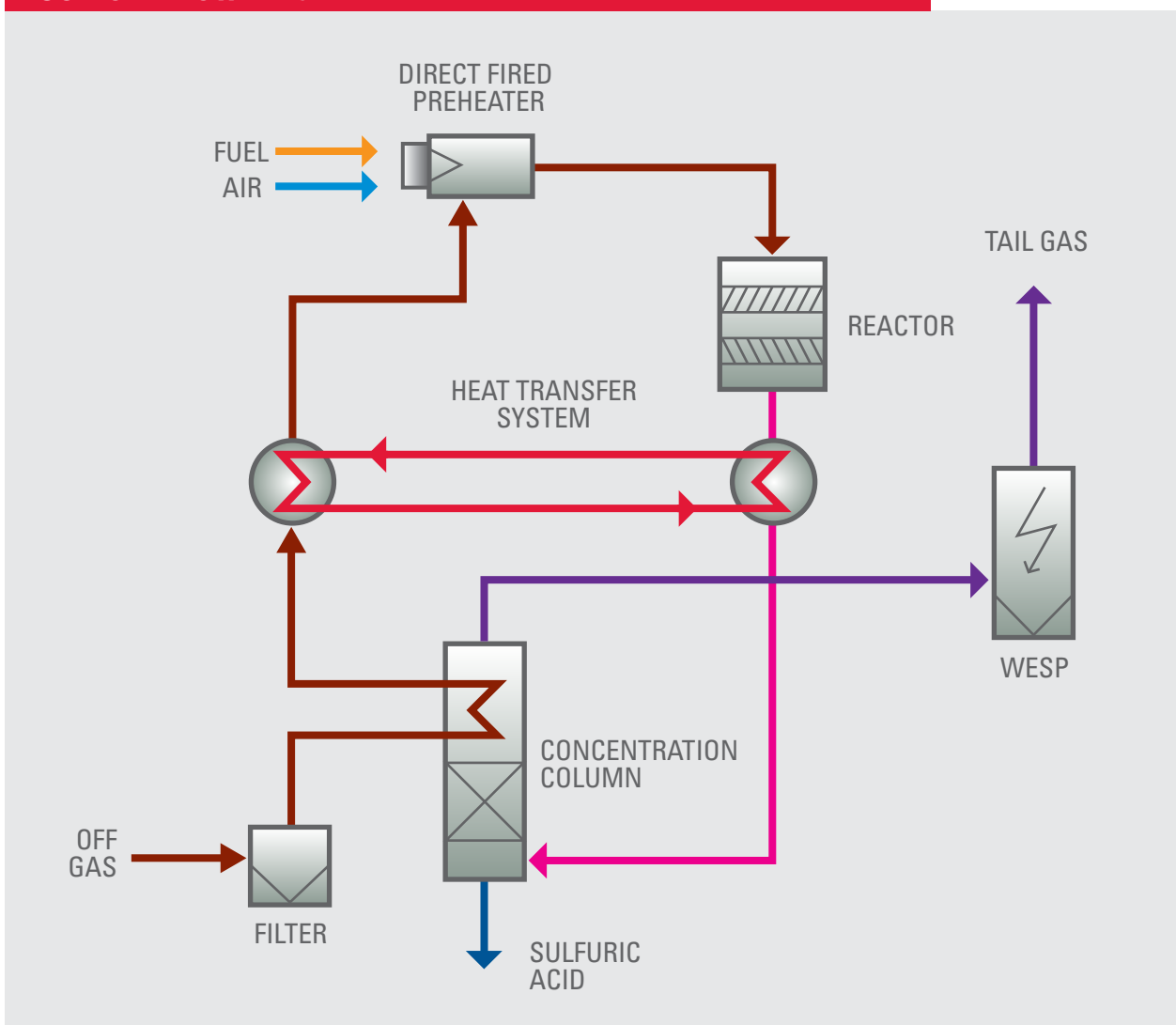
An additional direct fired preheater is used for plant start up operation and plant operation at low off gas concentrations.

The reactor contains catalyst beds where the sulfur compounds are oxidized to SO_2 and SO_3 . The SO_3 reacts with the water vapor to form gaseous sulfuric acid.

The acid condenses in the concentration column and evaporation of water produces concentrated acid that is collected in the sump of the column.

The wet electrostatic mist precipitator (WESP) removes the remaining acid mist. A further reduction of SO_2 emissions can be achieved with an additional activated carbon filter.

SULFOX™ FLOW DIAGRAM



PLANT TYPES

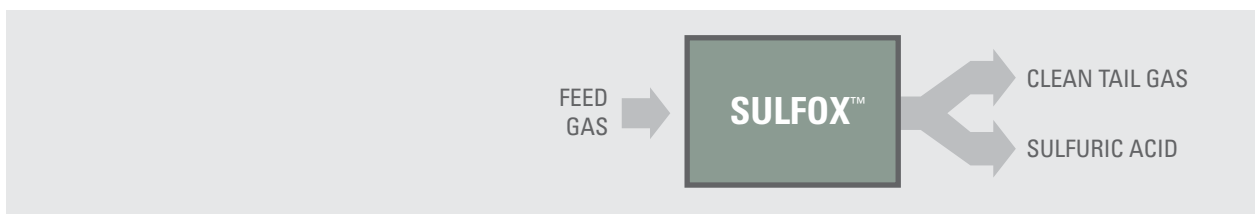
Depending on the feed gas conditions, customized plant types are offered. For large H₂S gas feeds, SULFOX™ technology is combined with a combustion chamber and steam equipment. For dirty and wet SO₂ gases, a customized gas cleaning system is included. We can regenerate spent acid or liquid sulfate feeds by

combining SULFOX™ technology with a decomposition furnace followed by steam equipment and gas cleaning.

The following block diagrams present the different plant configurations for a range of feed types processed:

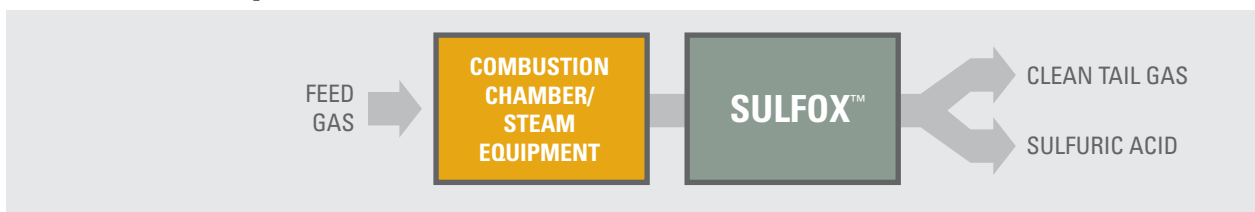
SULFOX™ NK

USED FOR LEAN FEED GAS CONCENTRATION



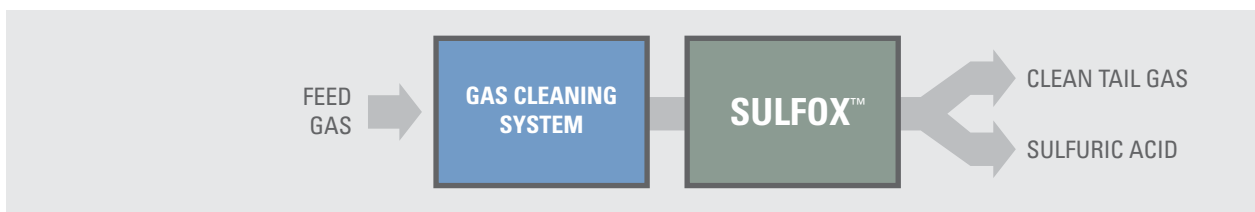
SULFOX™ HK

USED FOR LARGE H₂S GAS FEED



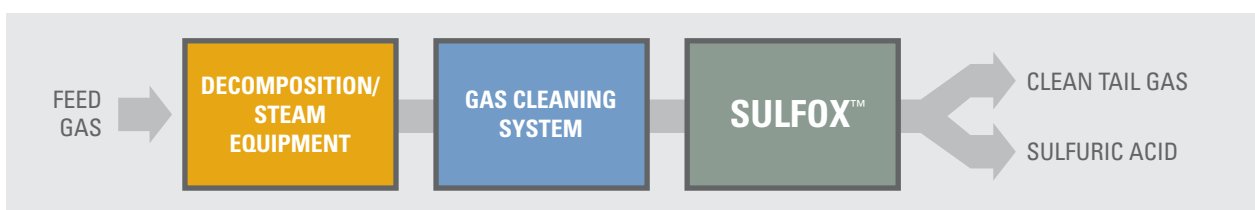
SULFOX™ MET

USED FOR DIRTY OFF GAS FEEDS IN THE METALLURGICAL INDUSTRY



SULFOX™ SAR

USED FOR SPENT ACID AND LIQUID SULFATE REGENERATION





The miracles of science™

MECS® SULFOX™ FOR GAS DESULFURIZATION AND SULFUROUS WASTE REGENERATION

SULFOX™ HK



MECS®

www.mecs.dupont.com

North America

MECS Headquarters

Chesterfield, Missouri, USA

Tel: +1-314-275 5700

northamerica@mecsglobal.com

Europe/Africa

Brussels, Belgium

Tel: +32-2-658 2620

europafrica@mecsglobal.com

Milan, Italy

Phone: +39-02-8969 0658

italy@mecsglobal.com

Johannesburg, South Africa

Tel: +27-11-708 9860

southafrica@mecsglobal.com

Asia Pacific

Hong Kong, China

MECS Far East Limited

Tel: +852-2734 5388

hongkong@mecsglobal.com

Shanghai, China

MECS Chemical Plants

Equipment (Shanghai) Co., Ltd

Tel: +86-21-6182 1111

shanghai@mecsglobal.com

Mumbai, India

MECS India Private Ltd.

Tel: +91-22-6774 9500

india@mecsglobal.com

South America

Barueri, Sao Paulo, Brazil

Tel: +55-11-4166 8000

brazil@mecsglobal.com